

## Pressed steel handwheels

for valves

### SPECIFICATION

Pressed steel  
cathodic dip coated (KTL)  
black, RAL 9005 **SWK**  
red, RAL 3000, matte **RTK**

Hub  
Steel, welded

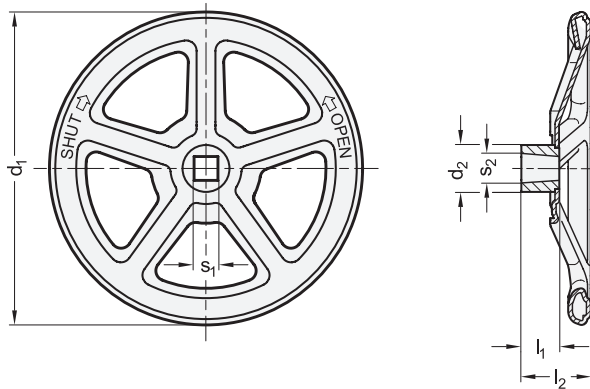
### INFORMATION

Pressed steel handwheels GN 227.7 feature high mechanical strength and a coating for increased corrosion resistance. They are also not affected by shock and knocks.

The conical square hole allows easy installation and firm seating on a spindle. The cast shape prevents injuries from sharp edges during handling. The engraved labels "SHUT" and "OPEN" help with safe and correct operation of the valves.

### ON REQUEST

- with bore B
- with square V
- neutral, no labeling



### GN 227.7

Description	d1	s1	s2	d2	l1	l2 ±1	No. of spokes	Thickness	⚖️
GN 227.7-125-VK11-RTK	125	VK 11	12.7	28	17	31	3	1.2	240
GN 227.7-125-VK11-SWK	125	VK 11	12.7	28	17	31	3	1.2	240
GN 227.7-150-VK12-RTK	150	VK 12	13.8	30	18	33.5	3	1.5	360
GN 227.7-150-VK12-SWK	150	VK 12	13.8	30	18	33.5	3	1.5	360
GN 227.7-200-VK14-RTK	200	VK 14	16	35	20	40.5	3	2	750
GN 227.7-200-VK14-SWK	200	VK 14	16	35	20	40.5	3	2	750
GN 227.7-250-VK17-RTK	250	VK 17	19.25	36	23	47	4	2	1100
GN 227.7-250-VK17-SWK	250	VK 17	19.25	36	23	47	4	2	1100
GN 227.7-300-VK19-RTK	300	VK 19	21.8	42	28	59	5	2	1600
GN 227.7-300-VK19-SWK	300	VK 19	21.8	42	28	59	5	2	1600
GN 227.7-400-VK24-RTK	400	VK 24	27	48	30	66	5	2.5	3100
GN 227.7-400-VK24-SWK	400	VK 24	27	48	30	66	5	2.5	3100