



## 2-090 Swinghandle RS PrC for Profile-Cylinder



### Advantages

- Swinghandle can be locked with profile-cylinders with 45° or 90° locking cam.
- Swinghandle with 90° closing rotation.
- RH / LH application.
- IP65 according to DIN EN 60529 - version dish with cap.
- The listed swinghandles, can be retrofitted with a sliding cap (product system 2-091).
- The sliding cap can be used for profile-cylinders from product system 2-140 and also for raised profile cylinders.
- Grounding by grounding nut (optional).

### Materials

- **Handle, dish and cylinder dustcover:** see table
- **Shaft:** brass
- **Bearing plate:** zinc die, untreated
- **Cap:** PA, black
- **Seals:** NBR

### Remarks

(S) Door-thickness 1.5 - 2.5mm  
1. stroke 18mm  
2. clearance  
Screws M5x16 for fastening cylinder included.  
Alternative products see also 2-090.01, 2-090.02, 2-090.03, 2-090.04.



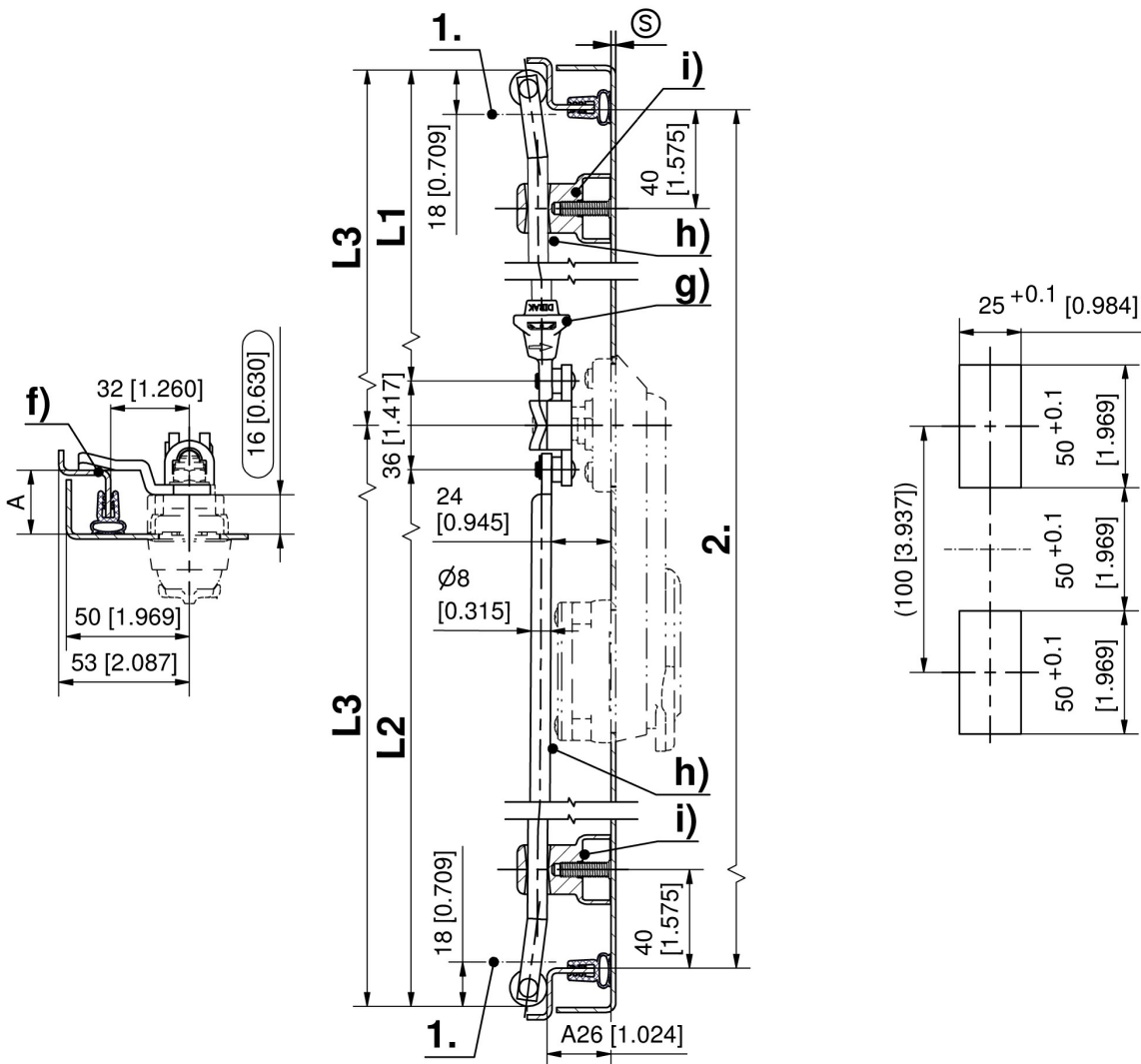
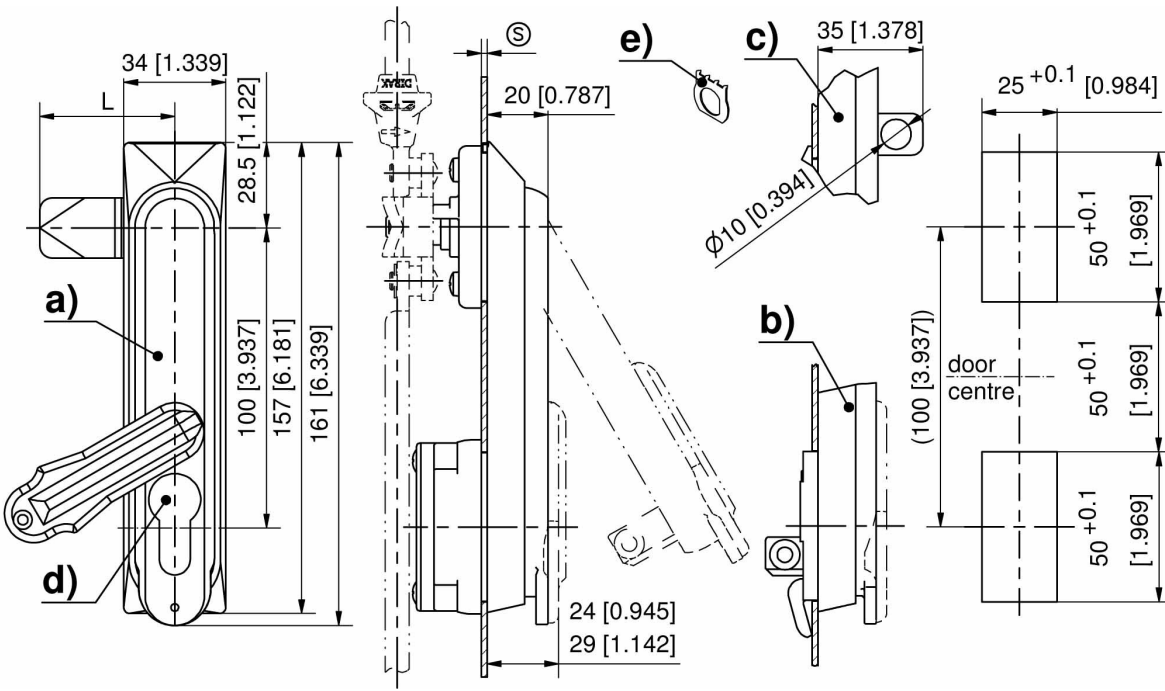
## Swinghandle for profile cylinder

	Part Number	Latching type	Handle material	Surface handle	Dish material	Surface dish	Dish	IP protection	Cylinder cover material	Securable	Padlock bolt	Delivery Unit
a)	207-9282.00-00000	PHZ 40mm	PA	black	PA	black	with cap	IP65				1 pcs.
a)	207-9283.00-00000	PHZ 40mm	PA	black	PA	black	with cap	IP65	PA	Yes		1 pcs.
a)	207-9284.00-00000	PHZ 45mm	PA	black	PA	black	with cap	IP65	PA	Yes		1 pcs.
b)	107-9254.00-00000	PHZ 40mm	PA	black	PA	black	with hook					1 pcs.
b)	107-9255.00-00000	PHZ 40mm	PA	black	PA	black	with hook		PA	Yes		1 pcs.
a)	107-9226.00-00000	PHZ 40mm	zinc die	black	PA	black	with cap	IP65				1 pcs.
a)	107-9227.00-00000	PHZ 40mm	zinc die	black	PA	black	with cap	IP65	PA	Yes		1 pcs.
a)	107-9228.00-00000	PHZ 45mm	zinc die	black	PA	black	with cap	IP65	PA	Yes		1 pcs.
c)	107-9282.00-00000	PHZ 40mm	zinc die	black	PA	black	with cap	IP65			Yes	1 pcs.
a)	107-9225.00-00000	PHZ 40mm	zinc die	chrome plated	PA	black	with cap	IP65				1 pcs.
a)	107-9208.00-00000	PHZ 40mm	zinc die	black	zinc die	black	with cap	IP65	zinc die	Yes		1 pcs.



### Accessories

- d) 2-140 **Profile-Cylinder DIN 18252**
- 2-151.04 **3-Point Cam Adapter**
- 2-150 **3-Point Cam L45, Rod Control**
- 2-151 **2-, 3- and 4-Point Cam Adapter**
- 1-180 **Round Rods for Adapter**
- 1-170 **Round Rods with Eye**
- 1-181 **Adapter for Round Rods Ø8mm PA**
- 1-181.01 **Adapter for Round Rods Ø8mm / Ø10mm Zinc Die**
- 1-190 **Rod Guides RS**
- 1-193 **Rod Guide RS**
- 2-091 **Sliding Cap**
- e) 3-011 **Grounding Clip Stainless Steel**



Formula for rods with eye and rollers:  
cutout in the door center (rod length varies)

$$L1 = \frac{\text{upper rod}}{2} = \frac{2 \cdot \text{clearance} - 12\text{mm}[0.472]}{2 [0.079]} - 50 \text{ mm} [1.969] \quad L2 = \frac{\text{lower rod}}{2} = \frac{2 \cdot \text{clearance} - 12\text{mm}[0.472]}{2 [0.079]} + 50 \text{ mm} [1.969]$$

cutout outside the door center (rod length equal)

$$L3 = \frac{2 \cdot \text{clearance} - 12\text{mm}[0.472]}{2[0.079]}$$