



## 2-078DST DST Swinghandle RS 110



### Advantages

- Low profile design.
- The pre-assembled swinghandle (single or 3-point cam) can simply be snapped into the cutout. (2./3.)
- 90° closing rotation. (1.)
- IP65 according to DIN EN 60529 by captive sealing. (5.)
- RH / LH application is achieved by an adjustable cam stop. (4.)
- Key Cylinder DIRAK 1333 with stainless steel dust cap.
- 2 Keys with synthetic coated grip.

### Materials

- **Swinghandle:** zinc die, black
- **Dish:** PA, black
- **Seal:** TPE

### Remarks

H-dimension of cam  $\geq 10$ mm  
Drawings for rod calculation:  
1. stroke 18mm  
2. clearance



## Swinghandle

Part Number	Clamping range (S)	Latching type	Installation type	Delivery Unit
407-9602.00-00015	1.2 - 1.7 mm	keyed alike DIRAK 1333	clip-in	1 pcs.
407-9602.00-00020	1.7 - 2.2 mm	keyed alike DIRAK 1333	clip-in	1 pcs.
407-9602.00-00025	2.2 - 2.7 mm	keyed alike DIRAK 1333	clip-in	1 pcs.

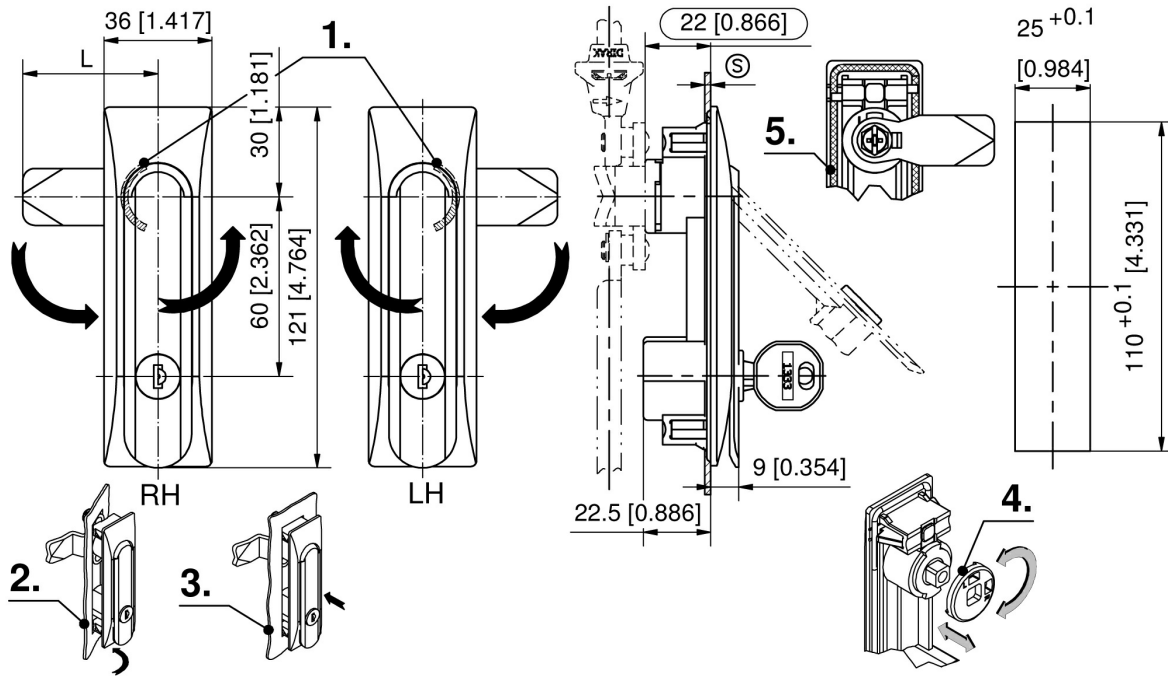
### \* Accessories

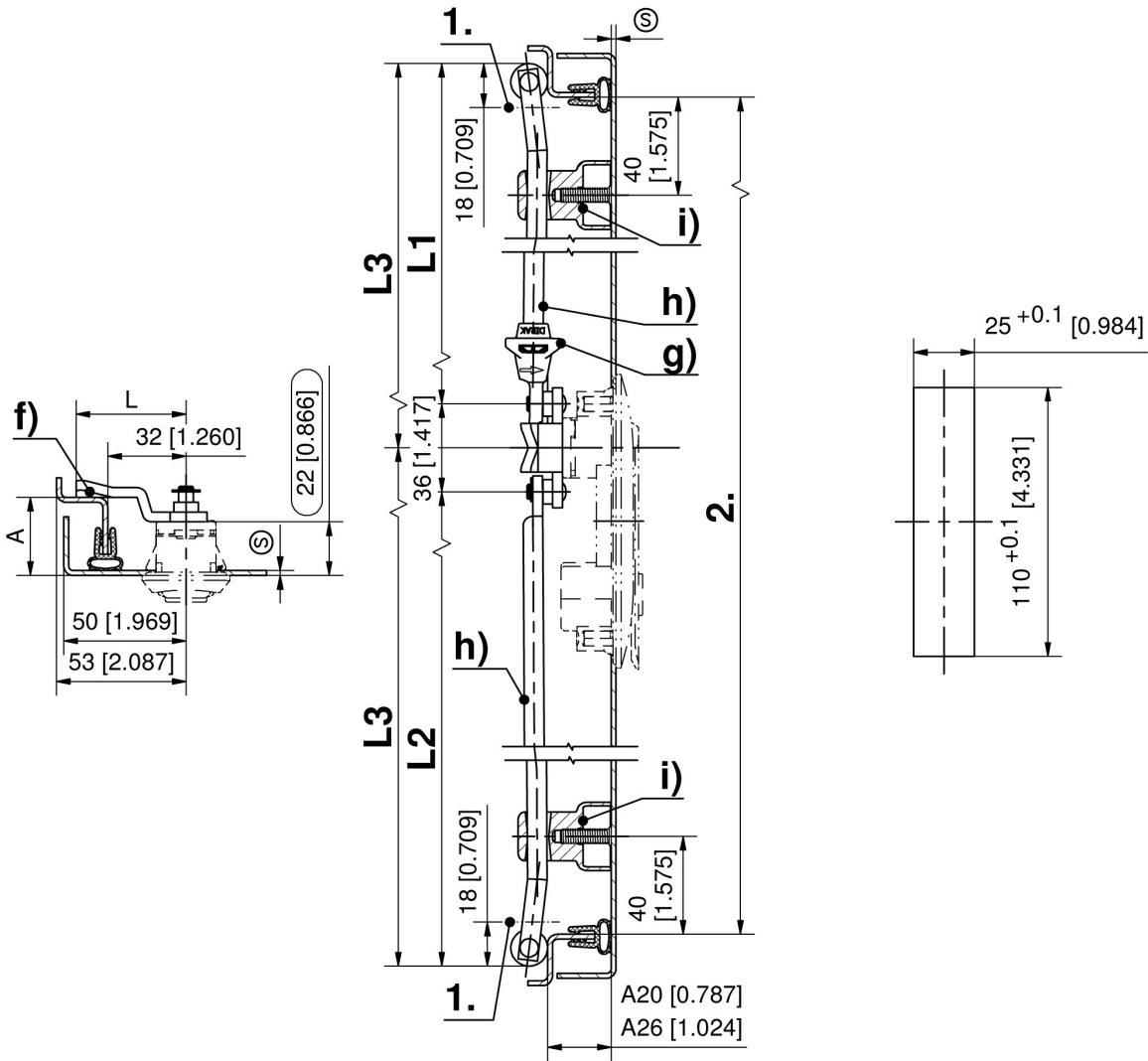
i) 1-192 Rod Guides RS

292-0306.80-02530 Tool for uninstallation

f) 2-152 2-Point Rod Guide Cam Adapter

- ∕ 2-151 2-, 3- and 4-Point Cam Adapter
- f) 1-262 Cams variable
- f) 1-102 Cams L35/45 Steel
- h) 1-180 Round Rods for Adapter
- h) 1-170 Round Rods with Eye
- g) 1-181 Adapter for Round Rods Ø8mm PA
- g) 1-181.01 Adapter for Round Rods Ø8mm / Ø10mm Zinc Die
- i) 1-190 Rod Guides RS
- i) 1-193 Rod Guide RS
- f) 1-105 Roller Cam height adjustable





Formula for rods with eye and rollers:  
cutout in the door center (rod length varies)

$$L1 = \frac{\text{upper rod}}{2} = \frac{2 \cdot \text{clearance} - 12 \text{mm} [0.472]}{2 [0.079]} - 30 \text{mm} [1.181] \quad L2 = \frac{\text{lower rod}}{2} = \frac{2 \cdot \text{clearance} - 12 \text{mm} [0.472]}{2 [0.079]} + 30 \text{mm} [1.181]$$

cutout outside the door center (rod length equal)

$$L3 = \frac{2 \cdot \text{clearance} - 12 \text{mm} [0.472]}{2 [0.079]}$$