

Handwheels with Retractable Handle

Aluminum, Handle Swiveling

SPECIFICATION

Bore codes

- Version **B**: Without keyway
- Version **K**: With keyway DIN 6885-1 P9

Type

- Type **R**: With revolving retractable handle

Wheel body

Aluminum

- Hub machined
- Wheel rim
 - Turned on all sides
 - High-polished
 - Radial and axial runout < 0,4
- Unmachined body shot-blasted

Safety Retractable Handles GN 798.7 (see page 587)

Plastic, Polyamide (PA)

- Black, matte
- Retracting mechanism
 - Steel
 - Spindle, 1.0718, blackened
 - Attachment part, sintered, blackened

INFORMATION

Handwheels GN 322.7 are suitable for applications where the handle must not remain in the operating position.

In order to bring the handle into this position it has to be turned first through 90° to a stop against a torsion spring and then it is pushed against spring pressure into its hold position. By maintaining the forward thrust on the handle the handwheel can easily be rotated.

When releasing the handle the springs returns it back to the retracted position.

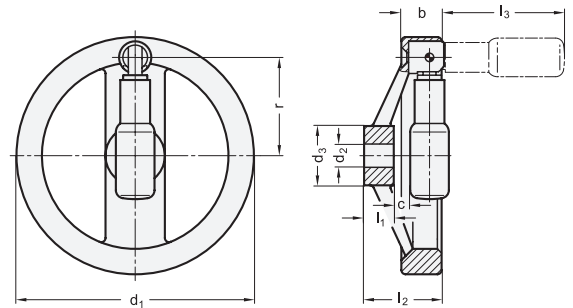


ACCESSORY

- GN 184 Countersunk Washers (for Axial Fixing) (see page 971)

TECHNICAL INFORMATION

- Keyway P9 DIN 6885-1 (see page A16)
- Cross Holes GN 110 (see page A17)
- ISO-Fundamental Tolerances (see page A21)
- Plastic Characteristics (see page A2)



GN 322.7-B

Description	d ₁	d ₂ H7 Bore	b	c	d ₃	l ₁	l ₂	l ₃	r	Ø Handle	⚖
GN 322.7-125-B12-R	125	12	24.5	7.5	31	18	44	61.5	50	22	438
GN 322.7-140-B14-R	140	14	24.5	7	36	19	45.5	76.5	57.5	24	548
GN 322.7-160-B14-R	160	14	25	7.5	36	20	47	76.5	67.5	24	600
GN 322.7-160-B16-R	160	16	25	7.5	36	20	47	76.5	67.5	24	560
GN 322.7-200-B18-R	200	18	25	8.5	42	24	52.5	86.5	84	25	970
GN 322.7-200-B20-R	200	20	25	8.5	42	24	52.5	86.5	84	25	945
GN 322.7-250-B22-R	250	22	26.5	13	48	28	61	86.5	111	25	1380

GN 322.7-K

Description	d ₁	d ₂ H7 Bore	b	c	d ₃	l ₁	l ₂	l ₃	r	Ø Handle	⚖
GN 322.7-125-K12-R	125	12	24.5	7.5	31	18	44	61.5	50	22	445
GN 322.7-140-K14-R	140	14	24.5	7	36	19	45.5	76.5	57.5	24	500
GN 322.7-160-K14-R	160	14	25	7.5	36	20	47	76.5	67.5	24	640
GN 322.7-160-K16-R	160	16	25	7.5	36	20	47	76.5	67.5	24	660
GN 322.7-200-K18-R	200	18	25	8.5	42	24	52.5	86.5	84	25	980
GN 322.7-200-K20-R	200	20	25	8.5	42	24	52.5	86.5	84	25	960
GN 322.7-250-K22-R	250	22	26.5	13	48	28	61	86.5	111	25	1500